

Turbine Starters

ST600 Series



For engine displacement of:
 Diesel—1000 to 5000 CID (16 to 80 liters)
 Carbureted—2000 to 10,000CID (32 to 160 liters)

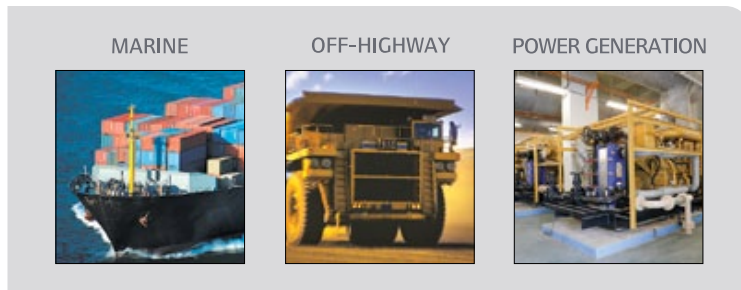
Features/Benefits

- Powerful 67 hp turbine motor uses no external lubrication
- Extended pilot for easier installation
- Offset pre-engaged ports for greater fitting positioning
- Smooth pre-engagement for limited ring gear wear
- 39 lb (17.7 kg) weight makes it the lightest starter in its class

Versatile

- In-line design and lightweight make installation easy
- Left or right-hand rotation
- 8 orientation options
- 30-150 psi (2.1-10.3 bars) operation
- For use with air only

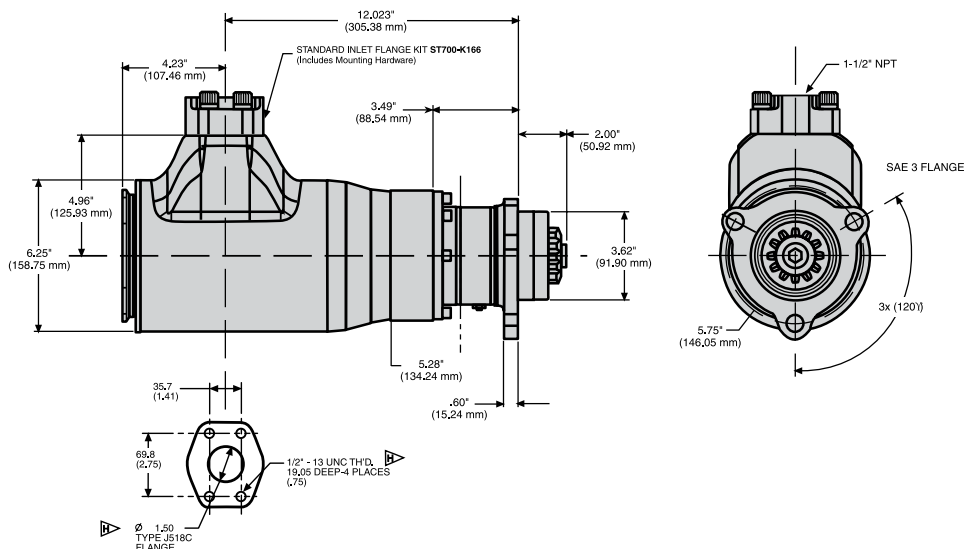
Industry Applications



Dimensions

Weight: 39 lbs (17.7 kg)

Note: All dimensions shown are for reference only. Specifications subject to change without notice.



Inlet Flange Kit (ST700-K166)

Weight: 4.5 lbs (2.0 kg)

Turbine Starters

Performance Information

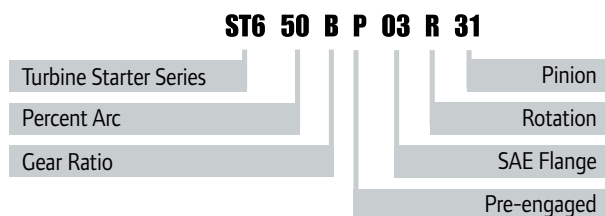
Pressure psi (bar)	Breakaway Torque ft-lb (Nm)	Speed @ Max HP rpm	Max Power hp (kW)	Flow @ Max HP scfm (L/s)
ST650B				
90 (6.2)	155 (210)	2300	34 (25)	850 (401)
120 (8.3)	225 (305)	2350	50 (37)	1150 (543)
150 (10.3)	260 (352)	2600	65 (49)	1450 (684)
ST699B				
30 (2.1)	110 (149)	1950	20 (15)	600 (283)
60 (4.1)	195 (264)	2200	41 (31)	1150 (543)
90 (6.2)	290 (393)	2400	67 (50)	1700 (802)

Note: Overtorque safety clutch set between 330 to 440 ft-lb (447 to 596 Nm)

Parts and Accessories

	Part #	Description
	150BMP-1051B	1/4" 12 V Solenoid Valve
	150BMP-2451B	1/4" 24 V Solenoid Valve
	SMB-G618	Gas Rated Push Button Valve
	SMB-618	Push Button Valve
	SRV150	1-1/2" Relay Valve
	150BMP-1058	Gladhand
	150BMP-1064	1/8", 150 psi Pressure Gauge
	ST900-267H/150	1-1/2" Strainer Housing
	ST900-266/150-HP	1-1/2" Strainer (50 microns)
	150BMP-1056	1/2" Check Valve
	150BMP-1067	1/2" Drain Valve

Model Coding



Genuine Ingersoll Rand Replacement Kits

Tune Up Kit Part Number	Description
ST600-TK1	ST600 Starter Tune Up Kit
ST600-SK1	ST600 Starter Seal Kit

