

Accessories

Solenoid Control Valves

These DC electrically actuated valves are designed for pilot operation of the Ingersoll Rand relay valve and are approved for applications affected by the U.S. Department of Transportation safety codes.

Specifications

- Valve Type: Three-way normally closed C_v Factor: 0.21
- Power Consumption: 25 watts
- Operating Pressure Range: 0 to 300 psig (0 to 20.7 bar)
- Proof Pressure: 375 psig (25.9 bar)
- Burst Pressure: 1250 psig (86.2 bar)
- Media: Air, Inert gases, water, light oils
- Media Temperature: -4 to 392°F (-20° to 200°C)
- Ambient Temperature: -4 to 248°F (-20° to 120°C)
- Seal Material: Viton



150BMP-2451B

150BMP Solenoid Control Valves

Part Number	Thread Size Inlet – Outlet	Voltage (DC)	Weight lb (kg)	Description
150BMP-1051B*	¼" – ¼"	12 volt	1.95 (.88)	24" (61 cm) Long Wire Leads
150BMP-2451B*	¼" – ¼"	24 volt	1.95 (.88)	24" (61 cm) Long Wire Leads
150BMP-6451*	¼" – ¼"	64 volt	1.95 (.88)	24" (61 cm) Long Wire Leads
150BMP-A1051C*	¼" – ¼"	12 volt	1.95 (.88)	Pioneer Connector Lead

* Can be mounted on 150BMP-B2451 elbow bracket.

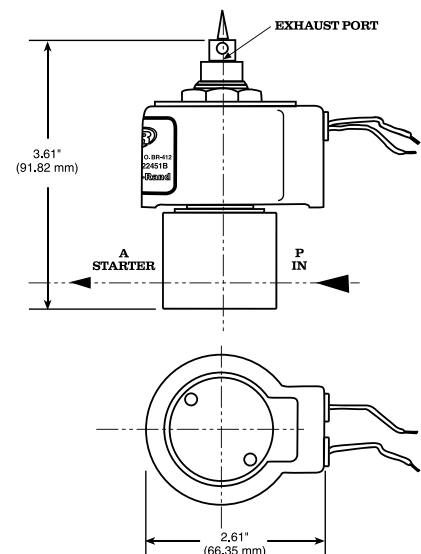
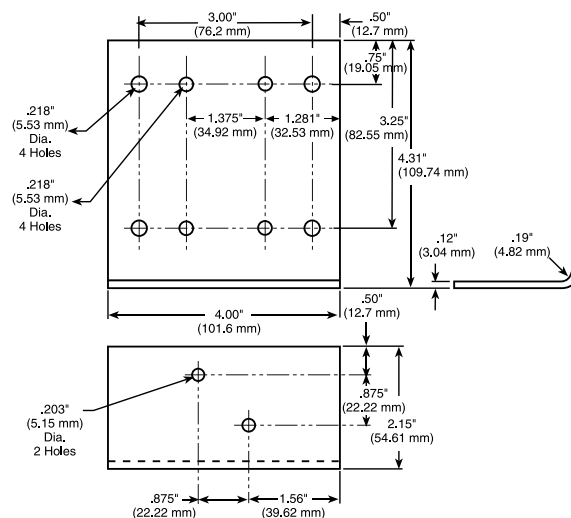
Dimensions

Solenoid Control Valve & Bracket

150BMP-B2451 Mounting Bracket

Weight: .39 lbs (.17 kg)

Note: All dimensions shown are for reference only. Specifications subject to change without notice.



Accessories

Specifications

- Rated Operating Pressure: 150 psig
- Rated Operating Voltage: 12-24 VDC
- Rated Current Draw: 750 mA

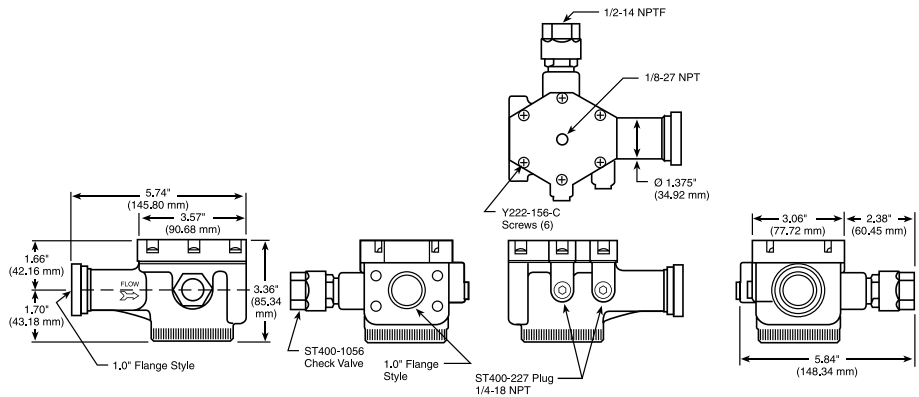
ST400 Solenoid Control Valves

Part Number	Inlet – Outlet	Weight lb (kg)	Description
ST400-A339M	1" – 1" Flange Style	4.5 (2.04)	Manual Control Valve; must be coupled to Solenoid or Push Button Valve
ST400-C339	1" – 1" Flange Style	2.96 (1.34)	Relay Valve with Top Mounted Solenoid Valve
ST400-K619	N/A	.30 (.13)	ST400-A339M Repair Kit

Dimensions

ST400-A339M

Note: All dimensions shown are for reference only. Specifications subject to change without notice.



Dimensions

ST400-C339

Note: All dimensions shown are for reference only. Specifications subject to change without notice.

