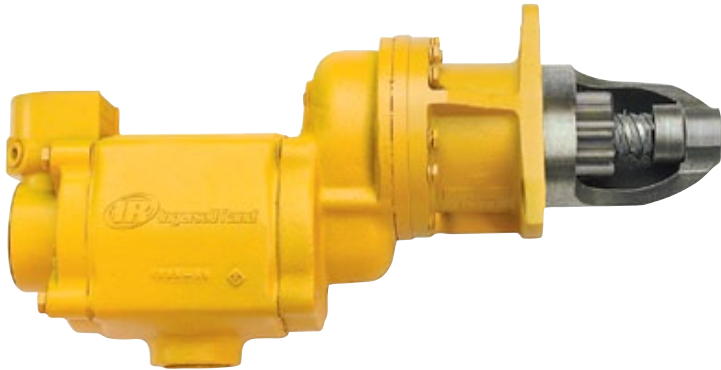


Vane Starters

150BM Series



For engine displacement of:
 Diesel—500 to 2000 CID (8 to 32 liters)
 Carbureted—1000 to 4000
 CID (16 to 64 liters)

Features/Benefits

- Powerful 32 hp motor
- The leading mid-range starter design, the standard by which all others are measured
- Simple design ensures rugged dependability and ease of maintenance
- Multiple offset gear ratios: E = 3.46:1; D = 3.94:1
- Backcap ports for injection lubricating

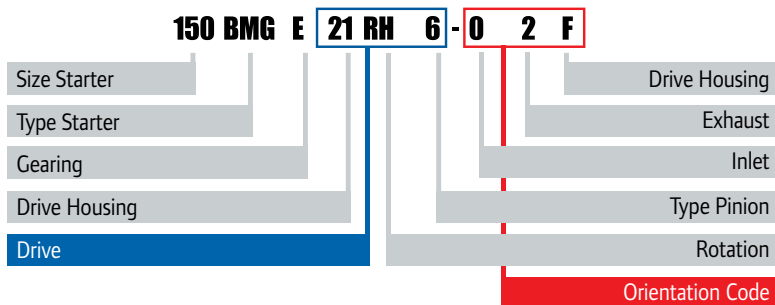
Versatile

- 150BMG sealed for use in air or gas applications
- Offset design for simple mounting
- Inertia and pre-engaged starters available
- 4 inlet, 4 exhaust, and 18 drive housing orientations
- 90-150 psi (6.2-10.3 bars) operation
- Left- and right-hand rotation available

Industry Applications



Model Coding



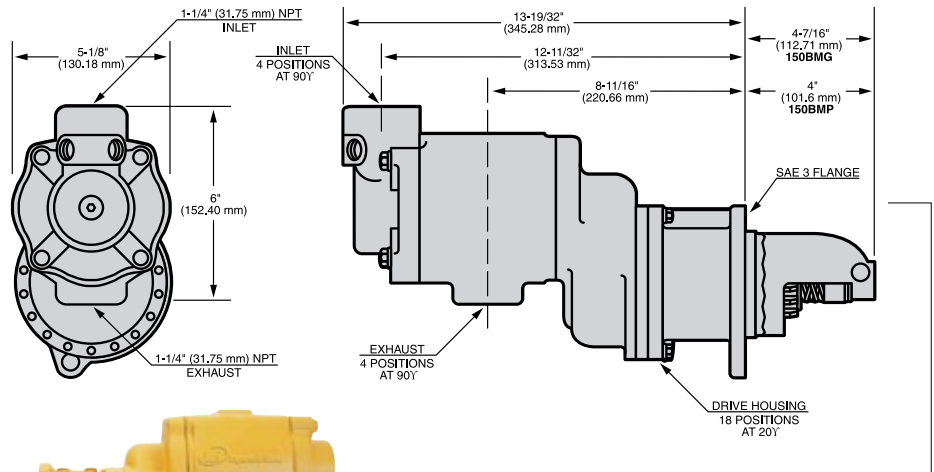
Vane Starters

Dimensions

150BMG/150BMP

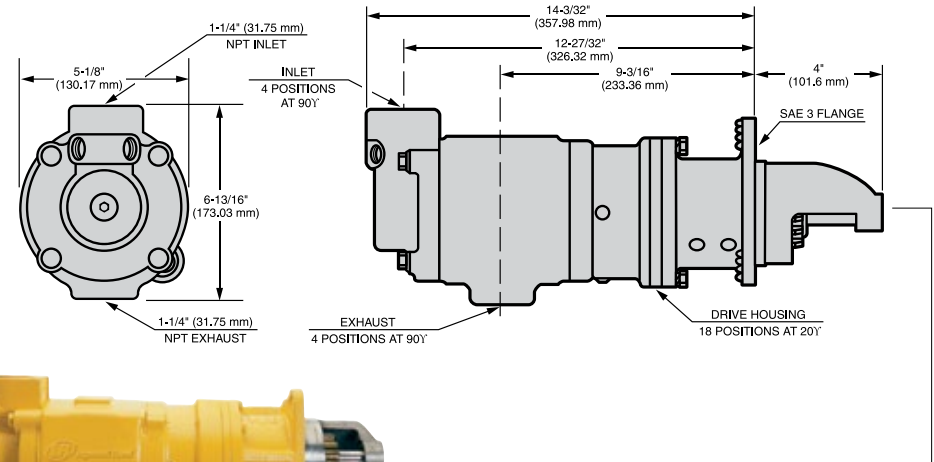
Weight:
150BMG 38 lbs (17.2 kg)
150BMP 40 lbs (18.1 kg)

Note: All dimensions shown are for reference only. Specifications subject to change without notice.



150BMPD

Weight: 40 lbs (15.9 kg)



Performance Information

Pressure psi (bar)	Breakaway Torque ft-lb (Nm)	Speed @ Max HP rpm	Max Power hp (kW)	Flow @ Max HP scfm (L/s)
150BMGE/150BMPE				
90 (6.2)	100 (136)	1700	16 (12)	380 (179)
120 (8.3)	130 (176)	1900	24 (18)	500 (236)
150 (10.3)	155 (210)	2200	32 (24)	680 (321)
150BMPD				
90 (6.2)	110 (149)	1500	16 (12)	370 (175)
120 (8.3)	145 (196)	1700	24 (18)	500 (236)
150 (10.3)	175 (237)	1900	32 (24)	650 (307)

Vane Starters

Genuine Ingersoll Rand Replacement Kits

Tune Up Kit Part Number	Description
150BM-TK2	150BM Products
150LF-TK2	150LF Products (uses 150LF-42 vanes)
150LF-TK1	150 Motor Gasket Kit for all vane motor 150 products
150BMPD-TK1	150BMPD Products

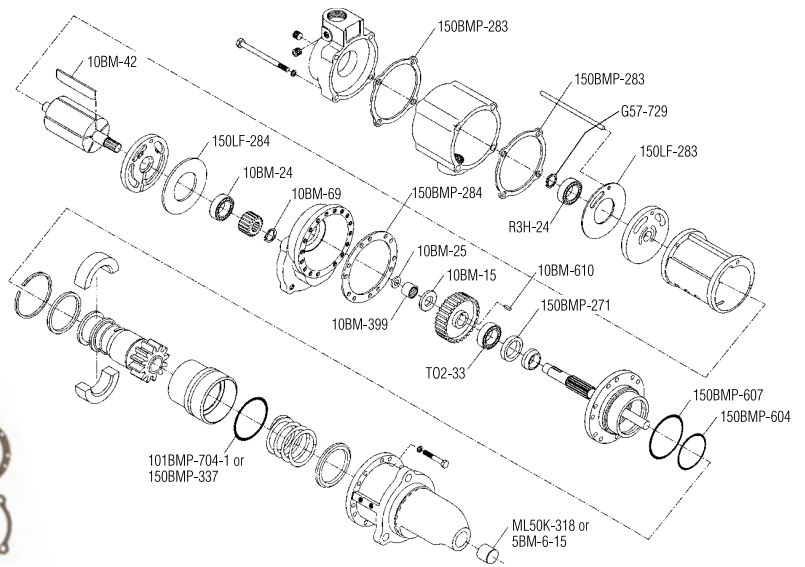
Parts



150LF-TK1 Parts











150BM-TK2 Parts



Exploded View of 150BM-TK2 Part Location

Parts and Accessories

Part #	Description
 150BM-A674	1 1/4" Muffler
 150BMP-1051B	1/4" 12 V Solenoid Valve
 150BMP-2451B	1/4" 24 V Solenoid Valve
 NL-24-8	In-Line Lubricator
 HDL2 (Stationary)	3/8" NPT Lubricator (1.3 cc)
 HDL3 (Transportation)	3/8" NPT Lubricator (0.4 cc)
 SMB-G618	Gas Rated Push Button Valve
 SMB-618	Push Button Valve

Part #	Description
 SRV150SS	1-1/2" Gas Rated Relay Valve
 SRV125T	1-1/4" Relay Valve for Vehicular Applications
 SRV125	1-1/4" Relay Valve for Stationary Applications
 150BMP-1058	Gladhand
 *ST900-267H/150	1-1/2" Strainer Housing
 ST900-267H/200	2" Strainer Housing
 *ST900-266/150-HP	1-1/2" Strainer (50 microns)
 ST900-266/200-HP	2" strainer (50 microns)
 150BMP-1064	1/8", 150 psi Pressure Gauge
 150BM-A735	Road Splash Deflector

*For complete filter (strainer + housing), please order ref ST900-267/150-HP