



Form P6031
03524832
Edition 12
January 2011

Air and Gas Powered Starter

Series 150BMG

Installation and Maintenance Information



Save These Instructions

 **Ingersoll Rand**

Product Safety Information

Intended Use:

The 150BMG Series Air starters are intended for use in starting reciprocating internal combustion engines. These starters are designed to be operated from a remote location after proper installation on the engine requiring starting.

For Additional information refer to Air Starters Product Safety Information Manual Form 45558624.

Manuals can be downloaded from www.ingersollrandproducts.com

Lubrication

Ingersoll Rand strongly emphasizes the importance of proper lubrication for achieving top performance and maximum durability with this starter. Either one of two lubrication systems is recommended.

For typical starter installations where the cranking cycle is less than 10 seconds, we recommend an **Ingersoll Rand** No. HDL3 Lubricator installed as shown in Dwg. TPC585. Use either diesel fuel or 10W nondetergent motor oil for lubricating the starter.

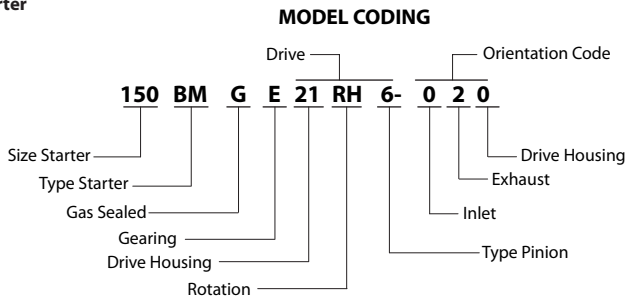
If the cranking cycle is more than 10 seconds, we recommend the **Ingersoll Rand** No. Lubricator NL-24-8 installed in the main air supply line. Use a good quality 10W nondetergent oil and adjust the lubricator to flow 1 to 3 drops per second.

NOTICE

When an HDL3 Lubricator is used, make certain that the oil supply line pressure is no greater than 5 psi. If there is pressure on the line, the lubricator will continuously leak lubricant through the starter and out of the exhaust.

Placing the Starter in Service

How to Order a Starter



(Dwg. TPD1732)

For specific models or special applications, contact your nearest Ingersoll-Rand Distributor or Ingersoll-Rand Engine Starting Systems, Box 8000, Southern Pines, NC 28387 (910) 692-8700.

Installation

NOTICE

For maximum performance, read this manual prior to installation or operation of Series 150BMG Starters.

General Information

- This starter must be installed according to the instructions in this manual.
- Ingersoll-Rand recommends that on all vehicular installations and on stationary engines subject to vibration, hoses of the specified diameter be used instead of rigid pipe connections. Vehicle and engine vibration will soon loosen rigid pipe connections, whereas hoses will absorb the vibration, and connections will remain tight.
- When mounting a starter, make the hose connections at the receiver and have the starter end of the hose handy for attaching to the starter. Wherever possible, attach the air hoses to the starter before mounting the starter on the flywheel housing. There are two reasons for following this procedure:
 - After mounting the starter, it is often impossible to make hose connections due to space limitations.
 - Once attached, the hoses carry some of the weight of the starter, making it easier to complete the mounting.
- Engine design often demands that the starter be mounted underneath in extremely close quarters. Therefore, even though two of the mounting bolt holes are easy to get at, the third one is often difficult to reach. The tools usually needed in the installation of a starter are a regular ratchet wrench, sockets, universal joint, socket extension and a single or double-end ratcheting box wrench.
- The efficiency of a starter can be greatly impaired by an improper hook-up. Hoses smaller than those recommended will reduce the volume of air to the motor, and the use of reducers in the exhaust port will restrict the exhaust and choke the motor. The use of tees and elbows and the length of the supply line should be kept to a minimum. In normal installations, hoses running from the air tank to the starter should be No. 20 and fittings should be 1-1/4". Control hoses should be No. 4 and fittings should be 1/4".
- A leak in any of the connections means that the system will drain overnight and will have to be repressurized the next morning by using another vehicle or compressor. Make the connections right the first time to avoid unnecessary costs and delays. On all threaded connections throughout the system, use Ingersoll-Rand No. SMB-441 Sealant, non-hardening No.2 Permatex, Loctite** Pipe Sealant or Perma-Lok® LH050**. Always run the air supply line from the side or top of the receiver, never at or near the bottom. Moisture will collect at the bottom of the receiver

causing corrosion and icing in cold weather. If either of these conditions exist, the starter will not operate. After all connections have been made, check each joint with a soap bubble test,

7. Installation of a "glad hand" for emergency repressurizing the system is recommended. To keep the "glad hand" clean and free of dirt, and to protect it from distortion, a second "glad hand" closed by a pipe plug can be mated to it, or a glad hand protector bracket can be used.
8. Whenever possible, always mount the starter so that the exhaust port is downward. This will help prevent any accumulation of water in the starter motor.
9. For increased protection during extended shelf life, the motor components of the starter have been coated with Ingersoll Rand No. 50 Oil. This oil will be dispersed during the first few cycles of the starter.

Orientation of the Air Starter

If the factory orientation will not fit your engine due to radial location of the Drive Housing or location of the inlet and/or exhaust ports, re-orient the starter as follows:

1. Refer to the dimension illustration and note that the drive housing can be located in anyone of eighteen radial positions relative to the gear case. The exhaust port (motor housing) can be located in any one of four radial positions relative to the Gear Case, and the air inlet (Motor Housing Cover) can be located in any one of four radial positions relative to the exhaust port.
2. Study the engine mounting requirements, and determine the required orientation of the Drive Housing relative to the Gear Case. If the Drive Housing has to be reoriented, remove the twelve Drive Housing Cap Screws and rotate the Drive Housing to its required position.

NOTICE

Do not separate the Drive Housing from the Gear Case Cover. Reinstall the Drive Housing Cap Screws and tighten them to 100 in-lb (11 Nm) of torque.

3. When orienting the Drive Housing relative to the Gear Case, determine if the exhaust port will be at the bottom and if the inlet port will be favorably located for hose installation. If either or both of these members must be reoriented, remove the four Motor Housing Cover Cap Screws, and rotate the Motor Housing and/or Motor Housing Cover to its desired position.

NOTICE

Do not separate these members from each other or from the Gear Case. Reinstall the Motor Housing Cover Cap Screws and alternately tighten them to 25 ft-lb (34 Nm) of torque.

Mounting the Air Starter

1. Study the piping diagram Dwg. TPC585.
2. The air receiver tank for a starter installation must meet SAE J10B specifications or conform to ASME specifications. It must have a working pressure capability equal to or greater than the maximum pressure at which the starter will be operated.
3. When connecting the starter to a receiver tank that is already in service, bleed off the air pressure by opening the drain valve.



WARNING

Bleed off the air pressure through a valve or petcock. Do not remove a plug from the tank while the tank is still pressurized. Drain off any water that has accumulated in the bottom of the tank.

4. Using a 1-1/4" short nipple, install the SRV125 Starter Relay Valve on the end of the receiver tank as shown in the piping diagram.

Relay Valve Location

Ingersoll-Rand recommends that the Relay Valve be mounted on the air tank. As an alternate location, the Relay Valve can be mounted on the starter. Mounting on the starter gives better control of the air supply closer to the point of use and provides more starts per tank of air. However, mounting on the starter adds overhung weight and subjects the air supply lines to dynamic pressure at all times.

* Registered Trademark of Loctite Corporation

** Registered Trademark of Permabond Corporation

NOTICE

Make certain the connection is made to the inlet side of the Relay Valve indicated by the word 'IN' cast on the valve body.

5. Install the No. SMB-618 Starter Control Valve on the dash panel (for vehicular installations) or some other appropriate panel (for stationary installations).
6. Attach No. TA-STR-100 Starter Instruction Label to the control panel adjacent to the Starter Control Valve.
7. Mount the No. 150BMP-1064 Air Pressure Gauge on or adjacent to the control panel. It should be located where it is readily visible to the operator of the Control Valve.
8. Connect the Starter Control Valve to the Relay Valve with 1/4" hose. Install a Tee in this line with a short feeder hose to the Pressure Gauge.

NOTICE

Make certain the hose is connected to the "SUPPLY" side of the Starter Control Valve.

9. To determine the exact length of 1-1/4" air hose required, run a piece of heavy-duty hose or some other flexible tubing of the same diameter from the Relay Valve on the receiver to the Starter location on the engine.
10. Attach the 1-1/4" air hose to the outlet side of the Relay Valve, and run the hose through the frame to its final position at the starter location.
11. At this point, determine if it is feasible or practical to attach the hose to the starter before or after the starter is actually mounted. In many cases, it may be necessary to attach the hose to the starter before mounting.
12. If possible, liberally grease the teeth on the ring gear with a good, sticky gear grease or motorcycle chain lube. This will help promote the life of the ring gear and the Starter Pinion.
13. Place the starter into position, and mount it on the flywheel bell housing. Tighten the mounting bolts to 100 ft-lb (136 Nm) of torque.
14. If the exhaust is not to be piped away, install a No. 150BM-A674 Muffler or No. 150BM-A735 Road Splash Deflector in the exhaust port on the Motor Housing of the Starter.
15. Pressurize the complete starting system and check every connection with a soap bubble test. There must be no leaks.

Barring Over the Engine

Occasionally, for setting injectors and/or for timing purposes, it may be desirable to bar over the engine in such a manner that any given piston can be stopped at any given location. This is very easily done with a 150BMG Starter.

1. Disconnect the 1/4" hose at the "OUT" port on the Drive Housing, and plug the hole in the Drive Housing with a 1/4" pipe plug.
2. Remove the 3/8" pipe plug from the center of the Motor Housing Cover.
3. Engage the Drive Pinion with the flywheel by applying a minimum of 70 psig (4.8 bar/483kPa) to the "IN" port on the Drive Housing.
4. Insert a 5/16" hexagonal wrench through the hole in the Motor Housing Cover to engage the hexagonal recess at the rear of the Rotor.
5. Manually, rotate the Rotor until the engine is cranked to its desired position.

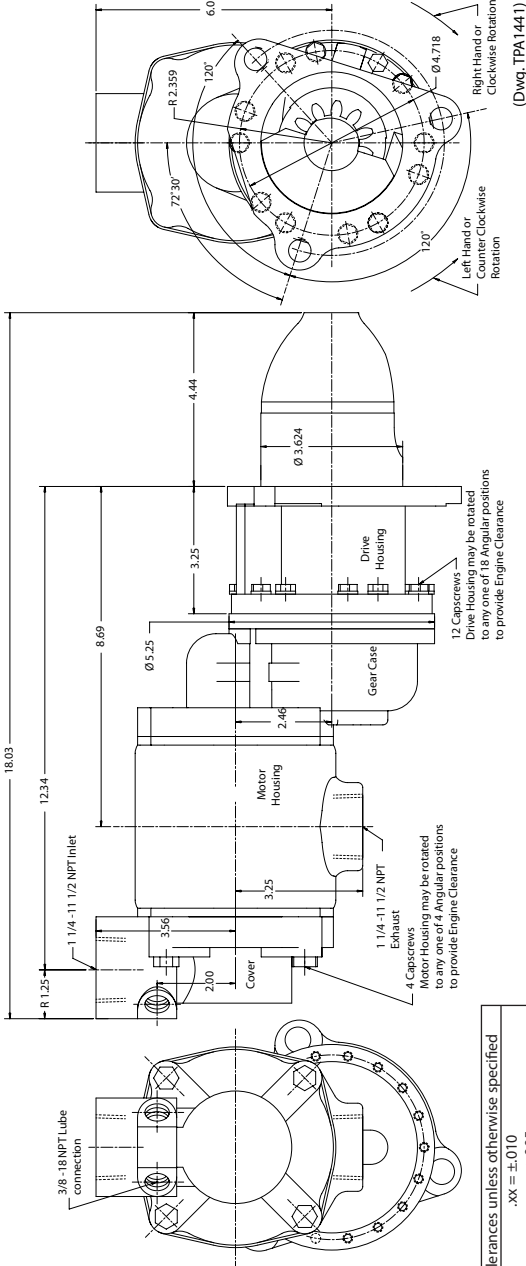
Gas Operated Starters

 **WARNING**

When repairing a gas-operated starter or when converting a starter from air operation to gas operation, it is necessary to use Ingersoll-Rand No. MBA31 Plastic Gasket, as directed, and the following procedures for assembly and testing must be explicitly followed.

1. Apply a thin film of sealant to the Housing Cover End Plug and the Lubricator Port Plug as they are assembled.
2. Plug the exhaust. Connect air line to the inlet, regulate the air pressure to 40 psig (2.8 bar/280 kPa) and immerse the unit for 30 seconds in light oil, or non-flammable solvent. If there are any bubbles, the unit is unfit for gas operation. Tighten where necessary and/or apply sealant to area showing leak. Retest.

150BMG Series Air and Gas Starters Dimensional Drawing



Std Tolerances unless otherwise specified

.xx = ±.010
 .xxx = ±.005
 X° = ±.5°

- Notes:**
- Starters should be installed on the Engine with the exhaust pointed down.
 - Use the set of control ports on the user side of the Drive Housing. (Only Drive Housings with two sets of Control Ports)
 - Drive Housing Orientation code is based on Position of mounting hole opposite the Pinion Opening.
 - Please read the instructions before attempting to reorient.
 - Starter weight: 8lbs (17.5 kg)
 - Lubricator and Muffler Included.

Orientation Options	
Cover	4 @ 90°
Motor Housing	4 @ 90°
Gear Case	4 @ 90°
Drive Housing	18 @ 20°

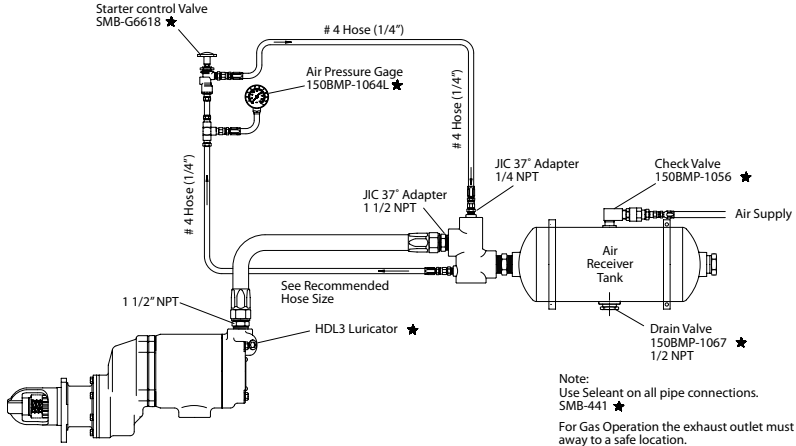
Performance Data @ 120 psi	
"E" Ratio	108
Model	Fz/lbs Nnh
	MAX HP @ RPM
	1740

- These Models available Gas Sealed. Identify with a "G" in the Model. Example: 150BMGE21RH-6
- These Models Bolt Mounting Flange (Drive Housing 98M 300-4)
- This Model has SAE No. 1 Mounting Flange (Drive Housing 108M 300-1)
- Any previously published model not listed at right will require price and delivery quotation.

* PD for Lay Out Purpose

Model	Normally Available Models			Pinion Data		
	Drive Number IR	Facet	No. of Teeth	Blank Size	DP	PA
(3) (5) 150BME21RH-13	9BM-299-9	A-3400	13	8/10	8/10	20°
150BME2ZLH-8	9BM-299-4	A-3242	13	8/10	1.625	20°
(4) 150BME23RH-12	10BM-299-21	A-3233	11	6/8	2.000	20°
(4) 150BME24RH-19	10BM-299-22	A-3344	12	8/10	1.625	20°
Price and Delivery must be confirmed on above models						
(3) 150BME22RH-5	10BM-299-22	A-3344	12	13	8/10	1.625
(3) 150BME21RH-31	10BM-299-21	A-3233	11	12	6/8	2.000
(3) 150BME21LH-11	10BM-299-19	A-3238	11	12	6/8	2.000
(3) 150BME21RH-6	10BM-299-21	A-3233	11	12	6/8	2.000
150BMC21RH-39	Replace with 150BME21RH-6					
150BMC21RH-38	Replace with 150BME22RH-5					
150BME21LH-37	Replaces with 150BME21LH-11					

150BMG Series Air and Gas Starters Typical Installation



★ Ingersoll Rand Part Number

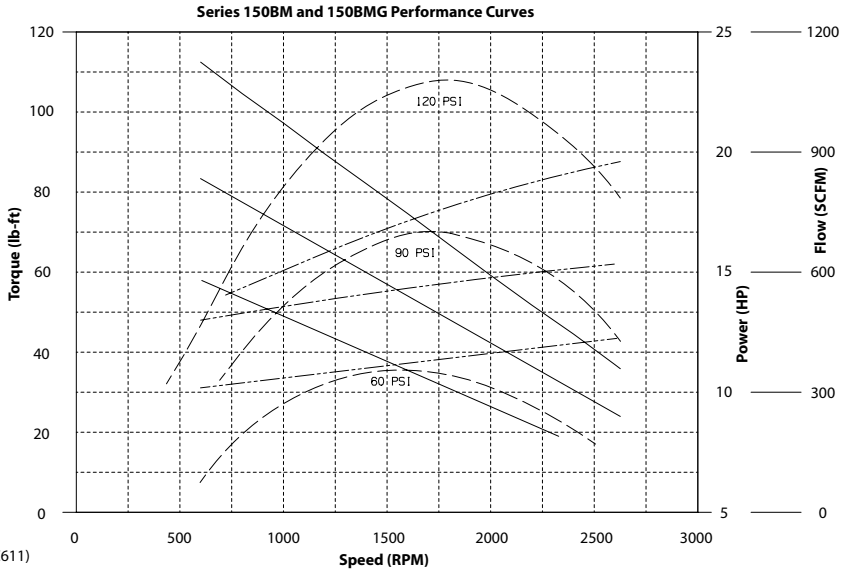
The performance of the Starter is dependent on the pressure at the inlet of the starter. This pressure is effected by the pressure drop between the Air Receiver Tank and the Starter. The most significant pressure drops will occur in fittings (Valves, Tees, Elbows, etc.) The next significant source of pressure drop is the hose. The following table provides recommended hose and Starter Relay Valves (SRV) sizes for typical one starter installations. Systems with many fittings or long hose should be analyzed and sized individually.

For Natural Gas Operation, Piped Exhaust must be used and Drive Housing vent plug replaced with suitable hose which connects into piped exhaust system.

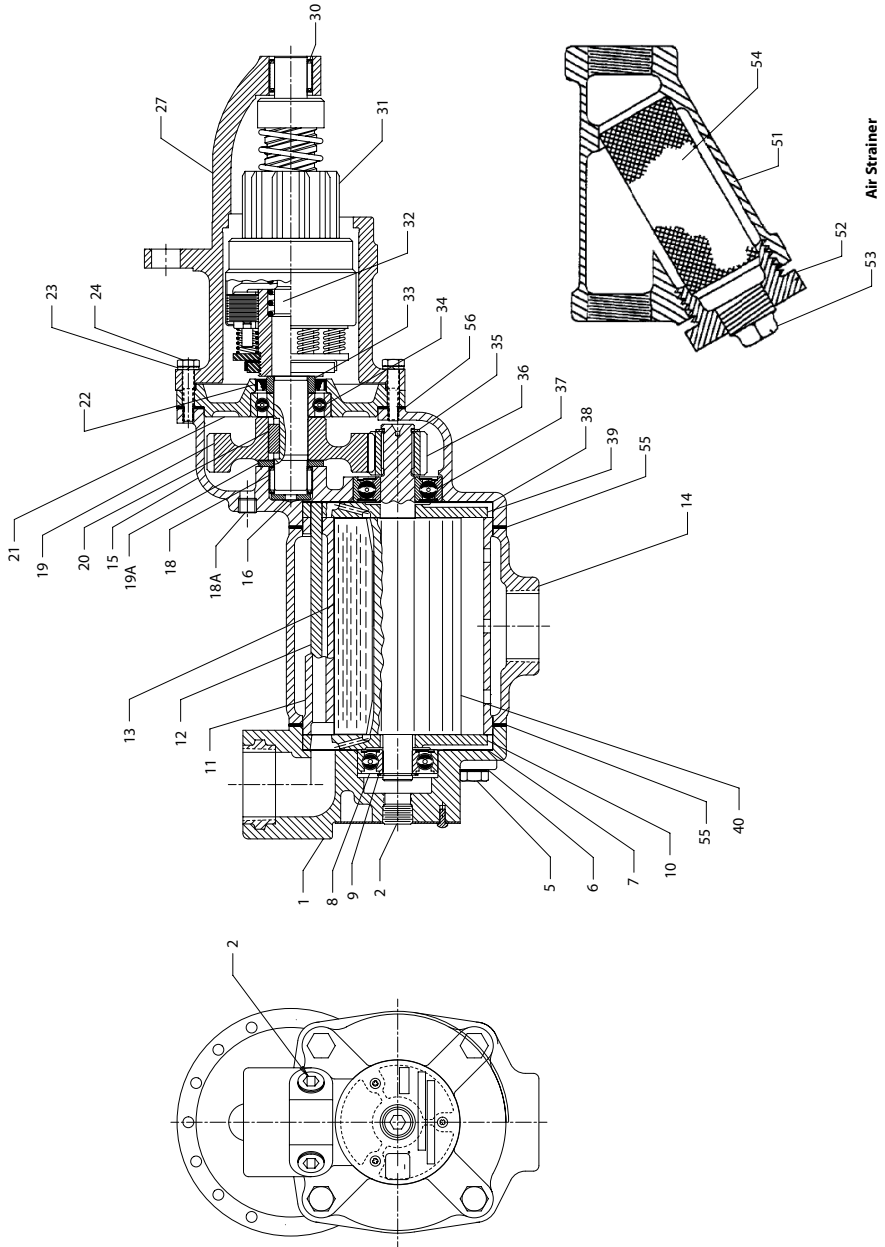
For Air Applications a Muffler or Splash Guard Deflector must be used.

(Dwg. TPC585)

Starter	Hose Length	Hose Size	SRV Size
3BM, 5BM	0-30'	# 12 (3/4")	SRV 100
SS175	0-30'	# 12 (3/4")	SRV 100
150BM/LF, SS350	0-10'	# 16 (1")	SRV 100
	10-30'	# 20 (1 1/4")	SRV 125
SS810, 815, 825, 850	0-50'	# 24 (1 1/2")	SRV 150
ST750, 799			

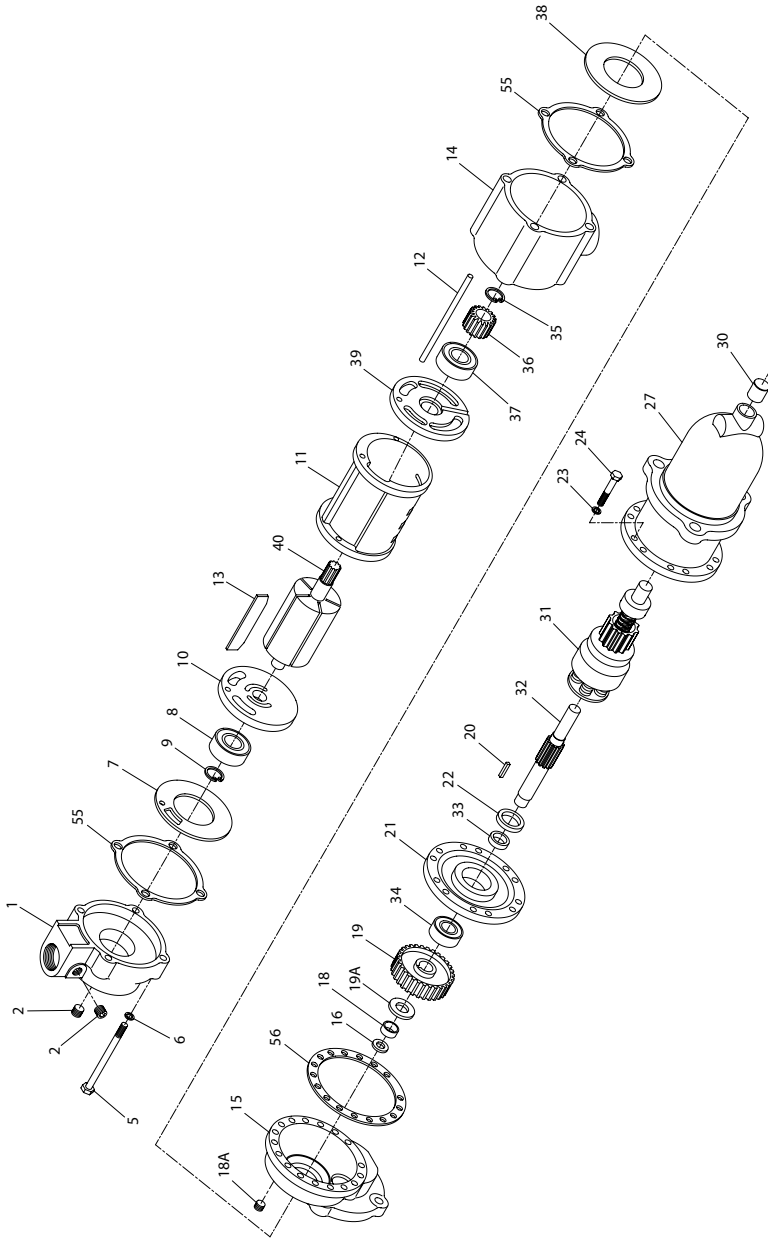


150BMG Series Air and Gas Starters Sectional View



(Dwg. TPA61-7)

150BMG Series Air and Gas Starters Exploded View



(Dwg. TPA683-2)

150BMG Series Air and Gas Starters Parts List

Item	Part Description	Part Number	Item	Part Description	Part Number
1	Motor Housing Cover Assembly	150BMP-A102A	32	Drive Shaft	
2	Housing Cover End Plug (3)	HSPPS3		for Model E22RH5-020	10BM-108
*	Nameplate	150BM-301		for Models C21RH-6, C21LH-11, C21RH-16, C21RH-17, C21RH-31, C21LH-32, E21RH6-20 E21LH11-020	10BM-8
*	Nameplate Screw (3)	R4K-302			
5	Motor Housing Cover Cap Screw (4)	107-25			
6	Cover Cap Screw Washer (4)	D02-504			
† 7	Motor Housing Cover Gasket	150LF-283	‡ 33	Drive Shaft Collar	10BM-30
† 8	Rear Rotor Bearing	R3H-24	† 34	Drive Shaft Front Bearing	T02-33
† 9	Rear Rotor Bearing Retainer	G57-729	† 35	Rotor Pinion Retainer	10BM-69
10	Rear End Plate	150LF-12A	36	Rotor Pinion	
11	Cylinder	150BM-3		for "C" Models	101BMPD-17
12	Cylinder Dowel	10BM-98		for "E" Models	150BME-17
† 13	Vane Packet (set of 5 Vanes)	10BM-42-5	† 37	Front Rotor Bearing	10BM-24
14	Motor Housing	10BM-40	† 38	Gear Case Gasket	150LF-284
15	Gear Case Assembly	10BM-37	39	Front End Plate	150LF-11A
† 16	Bearing Ejecting Washer	10BM-25	40	Rotor	10BMP-53
† 18	Drive Shaft Rear Bearing	10BM-399	# 51	Air Strainer Assembly	K4U-A267AT
18A	Plug	R2-227	52	Air Strainer Cap	K4U-286AT
19	Drive Gear		53	Air Strainer Plug	225R-165
	for C models	10BMC-9	54	Air Strainer Screen	K4U-61AT
	for E models	150BME-9	55	Gasket (2)	150BMP-283
† 19A	Drive Gear Thrust Washer	10BM-15	56	Gasket	150BMP-284
† 20	Drive Gear Key	10BM-610	*	Air Strainer Nipple (1-1/4" x 2-1/2")	KKM-286
21	Gear Case Cover Assembly		*	Mounting Adapter	9BM-B212-5/8
	for Model C12RH-13	10BM-378	*	Mounting Adapter	9BM-B212-1
	for all other models	10BM-478	*	Mounting Adapter	10BM-CU212-1/2
† 22	Drive Shaft Grease Seal	150BMP-271	*	Road Splash Deflector Assembly	150BM-A735
23	Drive Housing Cap Screw	---	*	Muffler Assembly	150BM-A674
	Lock Washer (12)	10BM-67	*	Plastic Gasket	SMB-431
24	Drive Housing Cap Screw (12)	10BM-744	*	Pipe Sealant	SM-441
27	Drive Housing Assembly	9BM-A300-H2	*	Tune-up Kit	150BM-TK2
† # 30	Drive Housing Bearing	ML50K-318		(includes illustrated parts 7, 8, 9, 13, 16, 18, 19A, 20, 22, 30, 34, 35, 37, and 38)	
# 31	Starter Drive				
	for Models BM21RH-6 and BMG21RH-6	10BM-299-21			
	for Models BM21LH-11 and BMG21LH-11	10BM-299-19			
	for Models BM21RH-5 and BMG22RH-5	10BM-299-22			

* Not Illustrated

† Indicates Tune-up Kit part.

‡ For every C model listed, there is a comparable E model. With the exception of the Drive Gear (19) and Rotor Pinion (36), comparable C and E models are identical.

Recommended on applications where air or gas could be contaminated.

Maintenance Section

WARNING

Always wear eye protection when operating or performing any maintenance on this Starter.

Always turn off the air or Gas supply and disconnect the air supply hose before installing, removing or adjusting any accessory on this Starter or before performing any maintenance on this Starter.

Note: When reading the instructions, refer to exploded diagrams in parts Information Section when applicable.

Lubrication

Each time a Model 150BMG Starter is disassembled for maintenance or repair, lubricate the starter as follows:

1. Lubricate all open bearing and gear teeth with a liberal coat of **Ingersoll Rand** No. 130 Grease.
2. Cover the bore of the Motor Housing Cover (1) with Ingersoll Rand No. 130 Grease.
3. Apply a thin film of **Ingersoll Rand** No. 130 Grease to the Drive Shaft (32) and the bore of the Drive Shaft Front Bearing (34), Drive Shaft Collar (33) and Drive Gear (19).

4. Wipe a thin film of **Ingersoll Rand** No. 130 Grease on the Drive Gear Thrust Washer (19A).
 5. Apply about 8 ounces of **Ingersoll Rand** No. 130 Grease to the assembled Drive Gear (19) and a uniform coat to the Drive Shaft (32) working the grease between all gear teeth, splines and bearing surfaces.
 6. Wipe a thin film of Ingersoll Rand No. 130 Grease in the bore of the Drive Housing (27).
-

Disassembly of the Starter

General Instructions

1. Do not disassemble the starter any further than necessary to replace worn or damaged parts.
2. When grasping a part in a vise, always use leather covered or copper-covered vise jaws to protect the surface of the part and help prevent distortion. This is particularly true of threaded members.
3. Do not remove any part which is a press fit in or on a subassembly unless the removal of that part is necessary for replacement or repairs.
4. Always have a complete set of seals and O-rings on hand before starting any overhaul of a Model 150BMG Starter. Never reuse old seals or gaskets.
5. Always mark adjacent parts on the Motor Housing Cover (1), Motor Housing (14), Gear Case (15) and Drive Housing (27) so these members can be located in the same relative position when the starter is reassembled.
6. Never wash the Starter Drive (31) in a solvent.
7. Do not press any needle bearing from a part unless you have a new needle bearing on hand for installation. Needle bearings are always damaged during the removal process.

2. Remove the Drive Housing Cap Screws (24) and Drive Housing Cap Screw Lock Washers (23) and lift off the Drive Housing, Drive Gear and Starter Drive.
3. Thread a 5/16"-18 thread cap screw into the tapped hole in the Bearing Ejecting Washer (16) and continue to turn it until the Drive Shaft Rear Bearing (18) is jacked from the Gear Case (15).

Disassembly of the Drive Housing

1. With the Drive Housing unit lying on the workbench, grasp the Drive Gear (19) and pull the assembled Drive Shaft (32) from the Starter Drive (31).
2. If the Drive Gear must be removed from the Drive Shaft, support the Drive Gear on the table of an arbor press, and press the Drive Shaft from the Drive Gear. Remove the Drive Gear Key (20).
3. Stand the Drive Shaft assembly, bearing end up, in a sleeve that contacts the Drive Shaft Collar (33), and press the Drive Shaft from the bore of the Drive Shaft Front Bearing (34).
4. Position the Drive Housing (27) vertically, grasping the Gear Case Cover (21) in leather-covered or copper-covered vise jaws. Tap the underside of the drive housing mounting flange with a soft hammer to dislodge the Drive Housing from the Gear Case Cover. Lift off the Drive Housing. The Starter Drive will probably remain with the Drive Housing; make certain that it does not fall on the floor.

Disassembly of the Motor

1. Unscrew the Motor Housing Cover Cap Screws (5).
2. Pull the Motor Housing Cover (1) from the Motor Housing (14).
3. Slide the Motor Housing from the motor.
4. Grasp the rear end of the motor and pull the entire assembly away from the Gear Case (15).
5. Position the motor assembly vertically, grasping the Rotor Pinion (36) in leather-covered or copper-covered vise jaws.
6. Remove the Rear Rotor Bearing Retainer (9).
7. The Rear Rotor Bearing (8) is press fit on the rotor shaft. Use a bearing puller to remove it.
8. Lift off the Rear End Plate (10) and Cylinder (11) and remove the Vanes (13) from the slots in the Rotor.
9. Reposition the Rotor vertically, pinion end up, and grasp the short hub in leather-covered or copper-covered vise jaws.
10. Remove the Rotor Pinion Retainer (35) and lift off the Rotor Pinion (36).
11. Support the Front End Plate (39) as close to the Rotor as possible, and press the Rotor from the Front Rotor Bearing (37). Do not let the Rotor fall when it is pressed free.

Disassembly of the Gear Case

1. Set the gear case and drive housing unit upright on the workbench with the Drive Housing (27) upward.

NOTICE

Do not remove the Drive Shaft Grease Seal (22) from the Gear Case Cover unless it is absolutely necessary and you have a new Seal on hand. If the Seal must be removed, press it from the Gear Case Cover.

5. Do not remove the Drive Housing Bearing (30) from the Drive Housing unless you have a new Bushing on hand. If the Bearing must be removed, press it from the Drive Housing.

Cleaning the Parts

Once the Starter has been disassembled, clean all parts for inspection.

1. Wipe all dirt, grease, etc. from the Starter Drive and sealed bearings.

NOTICE

Do not wash these parts in kerosene or other solvent, as this will dilute and contaminate any sealed-in lifetime lubricant.

2. Wash all parts except the Start Drive or any sealed bearing in clean kerosene or other solvent. Dry the parts with compressed air.

Inspection of Parts

1. Discard all O-rings and gaskets. These should not be reused.
2. Check all grease seals. If they appear worn or distorted, remove them from their parent member and discard.

NOTICE

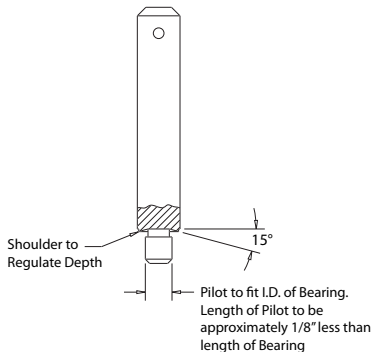
Discard any grease seal that was removed during disassembly of the starter.

Assembly

General Instructions

1. Always press on the inner ring of a ball-type bearing when installing the bearing on a shaft.
2. Always press on the outer ring of a ball-type bearing when pressing the bearing into a bearing recess.
3. Whenever grasping a starter or part in a vise, always use leather-covered or copper-covered vise jaws. Take extra care with threaded parts or housings.
4. Always clean every part and wipe every part with a thin film of **Ingersoll Rand** No. 50 Oil before installation.
5. Check every bearing for roughness. If an open bearing must be cleaned, wash it thoroughly in a clean, suitable, cleaning solution and dry with a clean cloth. Sealed or shielded bearings should never be cleaned. Work **Ingersoll Rand** No. 130 Grease thoroughly into every open bearing before installation.
6. Apply a film of o-ring lubricant to all o-rings before final assembly.
7. Lubricate all open bearing and gear teeth with a liberal coat of **Ingersoll Rand** No. 130 Grease. Lubricate Starter Drive Housing Bearing (30) and gear teeth with a liberal coat of **Ingersoll Rand** No. 130 Grease. Work about 3 cc into the teeth of the Drive Gear.
8. Lubricate the Gear Case and Gear Case components with **Ingersoll Rand** No. 130 Grease.
9. When assembling the motor always use new O-rings.
10. Before installing O-rings, coat liberally with O-ring lubricant. After the O-ring is installed, coat the O-ring again with o-ring lubricant and apply O-ring lubricant to O-ring grooves.
11. The Cylinder Dowel (12) maintains the alignment of the Motor Housing Cover (1), Front End Plate (39), Cylinder (11) and Rear End Plate (10). The end of the Dowel fits into a shallow hole in the face of the Motor Housing Cover. It is important that the end of the Dowel is in the hole and remains there during assembly.
12. Unless otherwise noted, always press on the stamped end of a needle bearing when installing the needle bearing in a recess. Use a bearing inserting tool similar to the one shown in Dwg. TPD786.

Needle Bearing inserting Tool



(Dwg. TPD786)

3. Check all needle bearings. Discard any needle bearing that was pressed from a parent member during disassembly of the starter. Remove and discard any other needle bearing that appears worn, distorted, has loose needles or does not run freely.
4. Check all ball bearings. These should run freely without any rough spots or binding. Discard any bearing that gives any indication of wear. Check the Vanes for separation, chipping, wear, checks, etc. See that they fit freely in the vane slots in the Rotor. We recommend that a complete new set of Vanes be installed whenever the Starter is disassembled.

Assembly of Motor

1. Position the Rotor (40) vertically, splined end down.
2. Place the Rear End Plate (10), crescent grooved side first, onto the hub of the Rotor.

NOTICE

Make sure that all notches and ports are in alignment. Refer to Dwg. TPA683-2.

3. Install the Rear Rotor Bearing (8) onto the hub of the Rotor until it contacts the Rear End Plate. Make certain the End Plate does not bind against the Rotor.
4. Install the Rear Rotor Bearing Retainer (9) in the groove on the hub of the Rotor.
5. Grasp the Motor Housing Cover (1), motor bore face upward, in copper-covered or leather-covered vise jaws. Swivel the vise so that the air inlet is facing you. Cover the bore of the bearing recess with a thin film of **Ingersoll Rand** No. 130 Grease.
6. Check the nameplate on the Starter to determine whether you have an "LH" model or "RH" model.

For "LH" models: While facing the air inlet on the Motor Housing Cover, insert the Cylinder Dowel (12) in the dowel hole on the right of the inlet.

For "RH" models: While facing the air inlet on the Motor Housing Cover, insert the Cylinder Dowel (12) in the dowel hole on the left of the inlet.

NOTICE

Make certain the Cylinder Dowel is installed in the proper dowel hole. If you put it in the wrong dowel hole, the motor will rotate in the wrong direction.

7. Place the Motor Housing Gasket (7) in the bore of the Motor Housing Cover.

NOTICE

Make sure that the Motor Housing Gasket is installed with the Cylinder Dowel hole positioned upward and properly oriented relative to the Cylinder Dowel. The Cylinder Dowel hole in the Gasket is the hole which is centered between the two angled ports in the Gasket. Refer to Dwg. TPA683-2.

8. Place the assembled End Plate and Rotor into the Motor Housing Cover that the Cylinder Dowel passes through the dowel hole in the End Plate, and so that the air port in the End Plate aligns with the port in the Gasket and Motor Housing Cover.
9. Place the Cylinder (11) down over the Rotor so that the Cylinder Dowel passes through the dowel hole in the Cylinder and so that the air port in the Cylinder is aligned with the air port in the Rear End Plate, Gasket, and Motor Housing Cover.
10. Place the Motor Housing (14) down over the Cylinder making certain that the prick punch marks on the Motor Housing Cover and Motor Housing are aligned.
11. Liberally coat each Vane (13) with **Ingersoll Rand** No. 50 Oil and insert a Vane into each slot in the Rotor. Make certain the straight edge of each Vane faces the Cylinder.

12. Set the Front End Plate (39), crescent grooved side first, onto the Cylinder so that the Cylinder Dowel passes through the dowel hole in the End Plate. Make sure that all notches and ports are in alignment.
13. Install the Front Rotor Bearing (37) onto the splined shaft of the Rotor until it seats against the Front End Plate. Do not bind the End Plate against the Rotor.
14. Slide the Rotor Pinion (36) onto the rotor shaft.
15. Install the Rotor Pinion Retainer (35) in the groove on the rotor shaft so that the concave side of the Retainer faces the Rotor Pinion.
16. Apply a light coat of **Ingersoll Rand** No. 130 Grease to the Gear Case Gasket (38) and place the Gasket in the motor bore of the Gear Case.
17. Set the Gear Case on the assembled motor, making certain the prick punch marks on the Gear Case are aligned with those on the Motor Housing.
18. Turn the entire assembly over so that the Motor Housing Cover is upward. Make sure that the Cylinder Dowel remains seated in the shallow hole in the face of the Motor Housing Cover.
19. Install the Motor Housing Cover Cap Screws (5) and Lock Washers (6). Tighten the Cap Screws alternately to 25 ft-lb (34 Nm) of torque.

Assembly of Drive Gear

1. If the Drive Shaft Grease Seal (22) was removed from the Gear Case Cover (21), press in a new Seal so that the inner lips of the Seal face the bearing recess for the Drive Shaft Front Bearing (34).
2. Apply a thin film of **Ingersoll Rand** No. 130 Grease to the Drive Shaft (32) and the bore of the Drive Shaft Front Bearing, Drive Shaft Collar (34), and Drive Gear (19).
3. Press the Drive Shaft Collar, beveled end first, onto the keyway end of the Drive Shaft until it seats against the shoulder of the shaft.
4. Press the Drive Shaft Front Bearing onto the keyway end of the Drive Shaft until it seats against the Drive Shaft Collar. Pack the Bearing with **Ingersoll Rand** No. 130 Grease.
5. Install the Drive Gear Key (20) in the keyway on the Drive Shaft.
6. Press the Drive Gear (19), long hub first, on the Drive Shaft until it contacts the Drive Shaft Front Bearing.

Assembly of Gear Case

1. Set the assembled motor and Gear Case (15) on end with the Gear Case upward.
2. Place the Bearing Ejecting Washer (16) in the bearing recess.
3. Using a needle bearing inserting tool, press the Drive Shaft Rear Bearing (18), unstamped end first, into the bearing recess until the trailing face of the Bearing is flush with the face of the bearing recess. Refer to Dwg. TPD786.
Work some **Ingersoll Rand** No. 130 Grease between the-rollers of the Bearing.

Testing the Starter

1. Turn the pinion by hand in the direction of Starter rotation. The pinion should advance smoothly and easily to the stop.
2. Turn the pinion opposite the direction of Starter rotation. The gearing and motor should rotate freely with no binding.
3. Attach an air hose to the inlet and operate the motor slowly to see that it functions properly and that the drive pinion rotates in the proper direction. If the direction of rotation is incorrect, the motor was improperly assembled.

4. Wipe a thin film **Ingersoll Rand** No. 130 Grease on the Drive Gear Thrust Washer (19A), and place the Washer on the lip of the bearing recess in the Gear Case.
5. Apply about 8 ounces of **Ingersoll Rand** No. 130 Grease to the assembled Drive Gear (19) and a uniform coat of **Ingersoll Rand** No. 130 Grease to the Drive Shaft (32), making certain to work the grease between all the gear teeth, splines and bearing surfaces.
6. Insert the assembled Drive Gear and Shaft, short hub end first, into the Gear Case so that the short hub enters the Drive Rear Bearing.
7. Slide the assembled Gear Case Cover, bearing recess first, down over the Drive Shaft until it seats against the Gear Case.

NOTICE

Check the inner lip of the Drive Shaft Grease Seal to make certain that it did not fold outward toward the end of the Drive Shaft. If it did fold outward, you must reinstall the Gear Case Cover using a fine pointed instrument to roll the lip of the seal the proper direction.

Assembly of Drive Housing

1. If the Drive Housing Bearing (30) was removed, stand the Drive Housing (27) upright and press a new Drive Housing Bearing, unstamped end first, into the Drive Housing until the unstamped end of the Bearing is flush with the inside face of the Drive Housing boss. Work some **Ingersoll Rand** No. 130 Grease in the Bearing.

NOTICE

Do not clean the Starter Drive (31) with solvent. If Starter Drive appears dry, apply Ingersoll Rand No. 130 Grease to the threads under the pinion.

2. Apply a thin film of **Ingersoll Rand** No. 130 Grease to the surface of the Drive Shaft (32).
3. Place the Starter Drive on the Drive Shaft.
4. Place the Drive Housing over the Drive onto the Gear Case Cover (21). Rotate the Drive Housing into the required orientation as indicated by the punch marks. At the same time, align the Cap Screw holes in the Gear Case Cover and Housing.
5. Install the Drive Housing Cap Screws (23) and Lock Washers (24) and tighten the Cap Screws to 100 in-lb (11 Nm) of torque.

4. The chambers on the pinion teeth should be on the following side of the teeth.

Troubleshooting Guide

Trouble	Probable Cause	Solution
Motor will not run	No air supply	Check for blockage or damage to air supply lines or tank.
	Damaged motor assembly	Inspect Motor Assembly and power train and repair or replace if necessary.
	Foreign material in motor and/or piping	Remove Motor Assembly and/or piping and remove blockage.
	Blocked exhaust system	Remove Housing Exhaust Cover (1) and check for blockage.
	Defective Control Valve or Relay Valve	Replace Control Valve or Relay Valve.
	Low air pressure to Starter	Check air supply.
	Restricted air supply line.	Check for blockage or damage to air lines.
	Relay Valve malfunctioning	Clean or replace lines or Relay Valve. Lube Relay Valve.
Loss of Power	Exhaust flow restricted	Check for blocked or damaged piping. Clean or replace piping. Check for dirt or foreign material and clean or remove. Check for ice build-up. Melt ice and reduce moisture build-up to Starter.
	Worn motor parts	Remove the motor from the Motor Housing (14) and disassemble the motor. Examine all parts and replace any that are worn or damaged. Use the following guidelines for determining unserviceable parts:
		1. Vanes (13): Install a new set of Vanes if any Vane is cracked, checked or worn.
		2. Rotor Bearings (8) or (37): Replace if any roughness or looseness is apparent.
		3. Rotor (40): Replace if there are any cracks or deep scoring.
		4. Cylinder (11): Replace if there are any cracks or deep scoring.
5. End Plates (10) or (39): Clean up scoring by rubbing it with emery cloth placed on a flat surface.		
Lack of air to starter	Check for clogged or damaged air line between relay valve and starter. Check relay valve to determine if it is functioning properly. Check air tank.	

Parts and Maintenance

NOTICE

The use of other than genuine **Ingersoll Rand** replacement parts may result in safety hazards, decreased starter performance, and increased maintenance, and may invalidate all warranties.

Ingersoll Rand is not responsible for customer modification of starters for applications on which **Ingersoll Rand** was not consulted. Repairs should be made only by authorized trained personnel. Consult your nearest **Ingersoll Rand** Authorized Service center.

When the life of the tool has expired, it is recommended that the starter be disassembled, degreased and parts be separated by material so that they can be recycled.

Manuals can be downloaded from www.ingersollrandproducts.com

Refer all communications to the nearest **Ingersoll Rand** Office or Distributor.

Notes:

Notes:

www.ingersollrandproducts.com

© 2011 *Ingersoll Rand*

